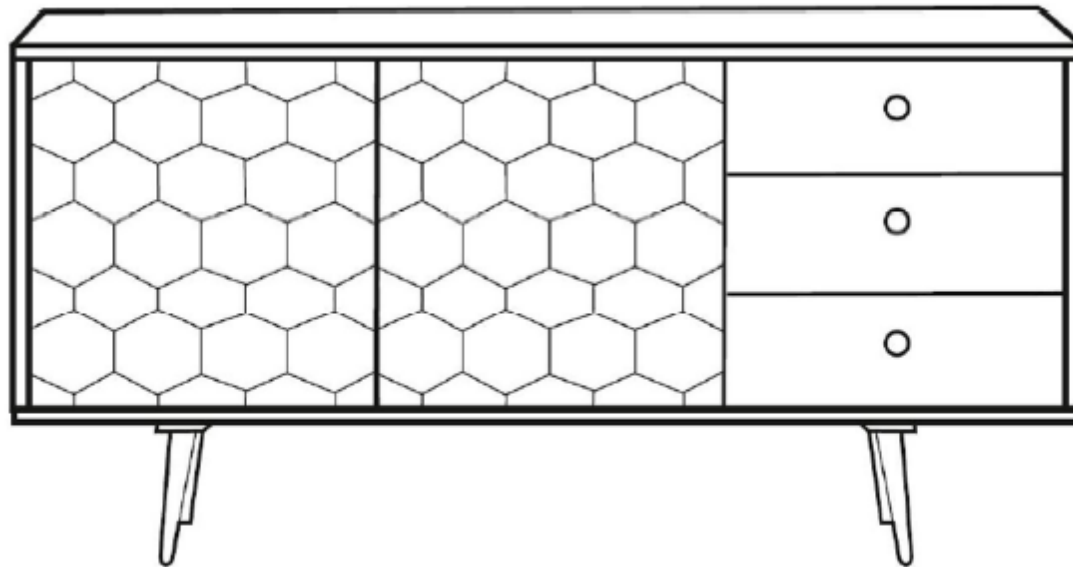


ASSEMBLY INSTRUCTIONS

O2 SIDEBOARD

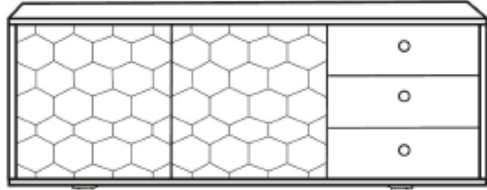
BZ-1017-24



THANK YOU FOR YOUR PURCHASE!

PARTS AND HARDWARE.

1. CABINET X 1



2. LEG X 2



3. ALLEN BOLT X 6



4. FLAT WASHER X 6



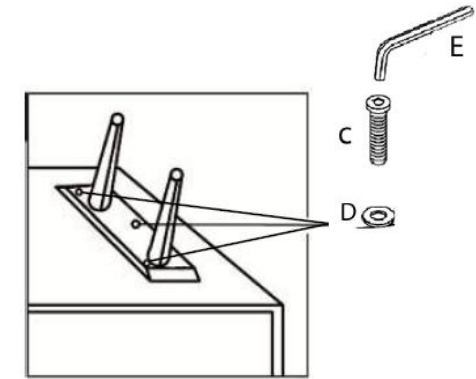
5. ALLEN KEY X 1



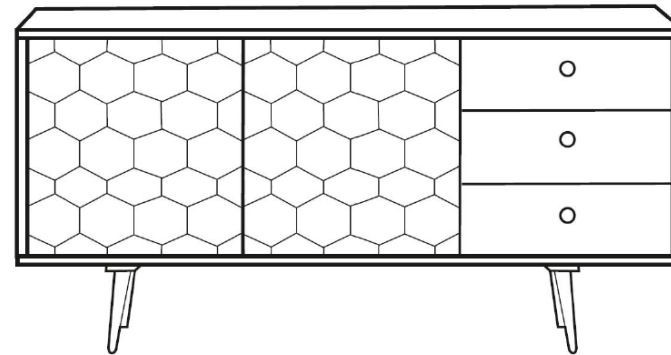
STEP 1.



STEP 2.



STEP 3.



NOTES.

Thank you for purchasing this quality product! Be sure to check all packing material carefully for small part that may have come loose inside the Carton during shipping.

CAUTION: The item is heavy, assembly should Be performed by two people.